

IP66-Rated Power Supply Solutions

ABSOPULSE D0 Series, up to 100W

ABSOPULSE Electronics offers a broad selection of heavy-duty power conversion products packaged in rugged, watertight die cast aluminum IP66 enclosures. The enclosures provide protection from the ingress of sand, dust, oil, salt, fog, insects and other environmental contaminants. They comply with most fire resistance standards and with ATEX directives.

Output power

The D0 size IP66 enclosure accommodates any DC or AC input power converter, with power ratings up to 100W.

Typical designs

ABSOPULSE designs available in the D0 size enclosures include the DCW 30, MIW 30, MIW 50, MIW 100, and many others.

Cooling

Cooling is by internal conduction to the walls of the IP66 enclosure and by baseplate to an external chassis or cabinet wall, with additional convection via the outside surface. This enables operation within a -25°C to +55°C temperature range for full specification. Installation on a heat-sinking surface significantly improves cooling.

Ruggedizing

The internal boards are ruggedized and conformal coated for immunity to shock and vibration. Heavy ruggedizing is available for increased immunity.

Connectors

Options available include cable glands, sealed circular connectors, military connectors or custom.

Mounting

By mounting flanges

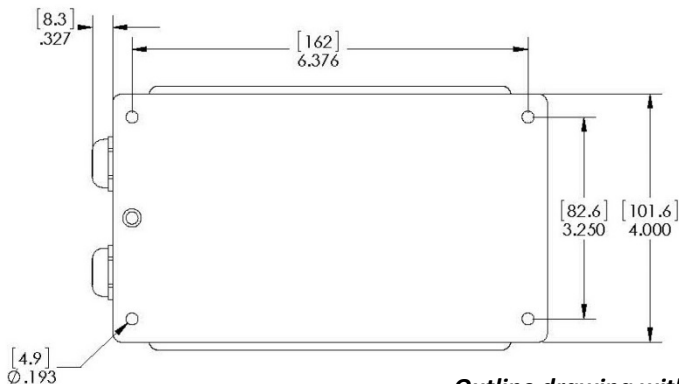
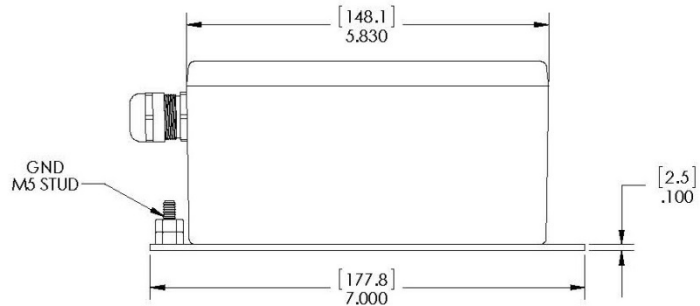
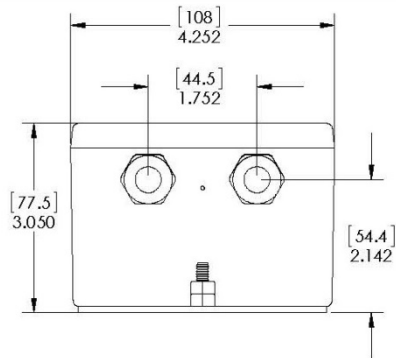
Weight

D0: approximately 1.2 kg; 2.6 lb
Weight includes internal module

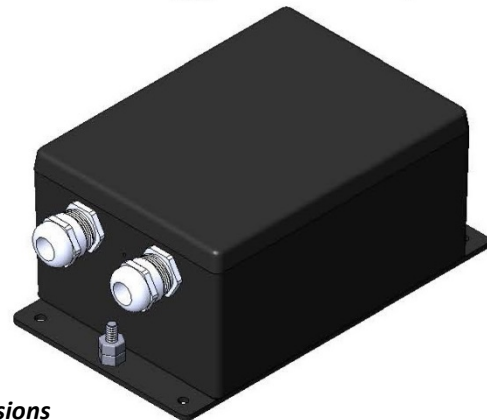
Enhancements to specifications are also available.



D0G version (IP66)
Sealed cable glands.



Outline drawing with dimensions



Designer and manufacturer of rugged power conversion solutions for industrial and railway applications. Our product line includes DC-DC converters, AC-DC power supplies and battery chargers, DC-AC sine wave inverters, AC-AC frequency converters, UPS systems, complete power systems in 19" and 23" racks. Custom or standard. ABSOPULSE is a BABT approved facility. Established in 1982.



ABSOPULSE ELECTRONICS LTD
110 Walgreen Road, Ottawa, Ontario | K0A 1L0 | CANADA
T: +1-613-836-3511 | F: +1-613-836-7488
E-mail: absopulse@absopulse.com | <http://www.absopulse.com>