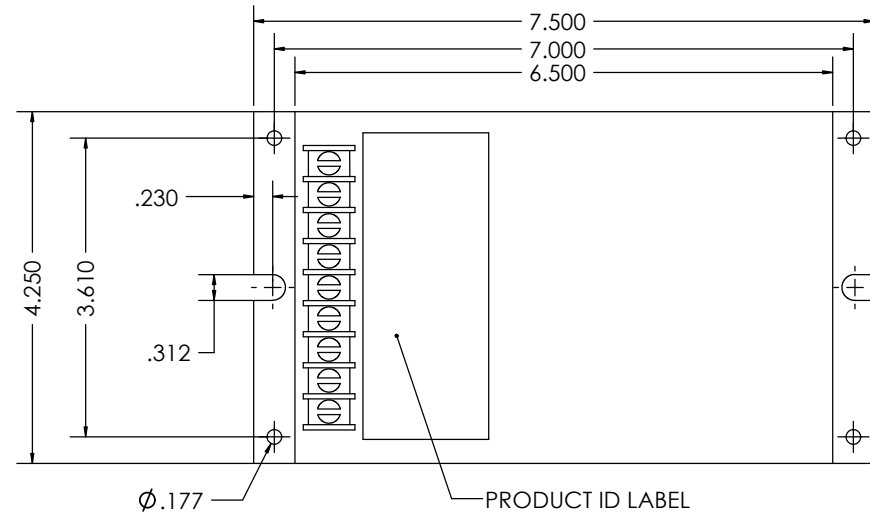
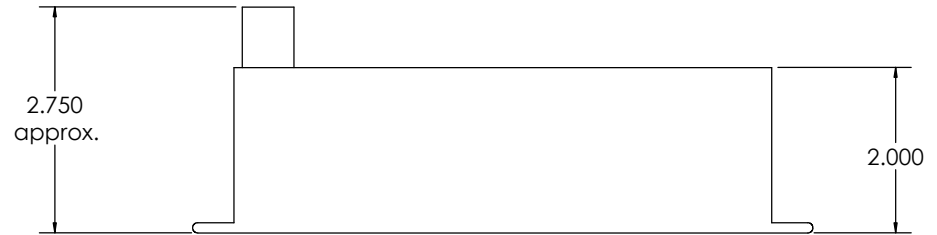
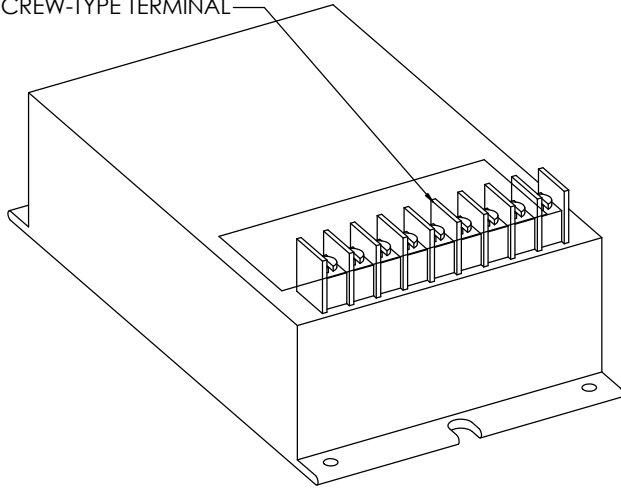


9 POLE SINGLE ROW
CURTIS 38000 SERIES
#6 SCREW-TYPE TERMINAL



CASE MATERIAL: ALUMINUM 5052-H32
FINISH: CLEAR IRIDATED AS PER MIL-C-5541E
THE UNIT IS POTTED WITH SILICONE BASED
POTTING COMPOUND

							DIMENSIONS ARE IN INCHES TOLERANCES ON DECIMALS: XXX ± 0.008" XX ± 0.012" ANGLES: ± 2° FRACTIONS: ± 1/64" UNLESS OTHERWISE STATED EDGES & HOLES DEBURRED SURFACES FREE OF SCRATCHES
THIS DOCUMENT IS THE PROPERTY OF ABSOPULSE ELECTRONICS LTD. ITS CONTENTS ARE PROPRIETARY AND MAY NEITHER BE COPIED, REPRODUCED NOR ITS CONTENTS DISCLOSED TO OTHERS WITHOUT PRIOR WRITTEN AGREEMENT FROM ABSOPULSE ELECTRONICS LTD.					Title: OUTLINE DRAWING		
					Part of: P59 Package		Date: <input type="checkbox"/> <input type="checkbox"/> May 04, 2005 <input type="checkbox"/> <input type="checkbox"/> <input type="checkbox"/>