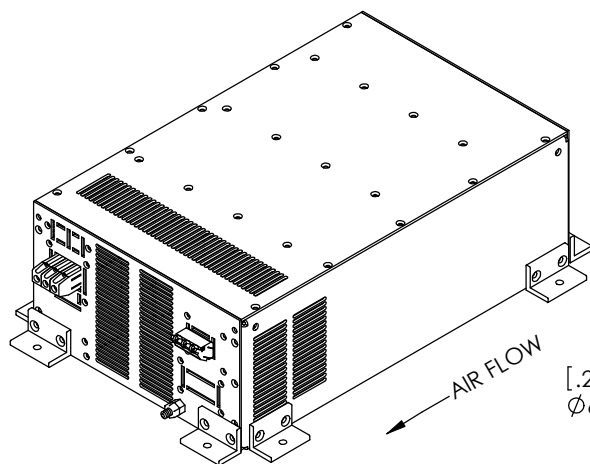
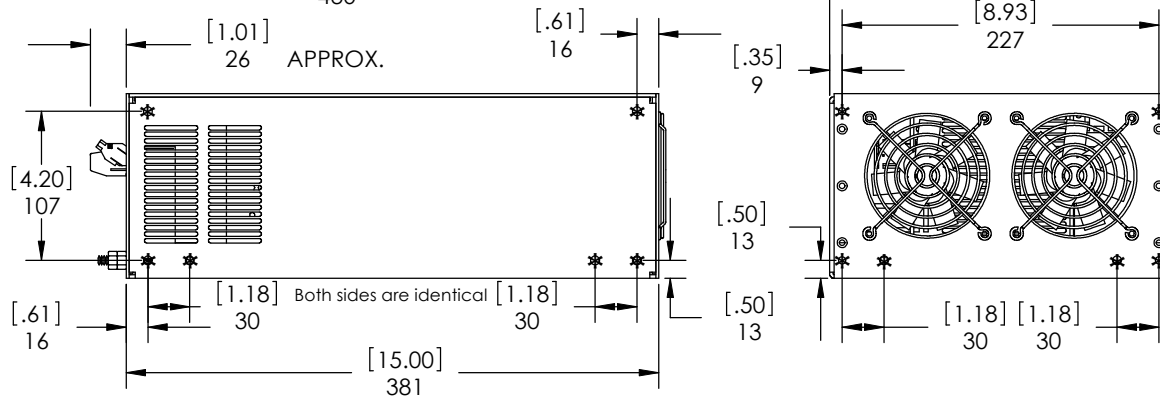
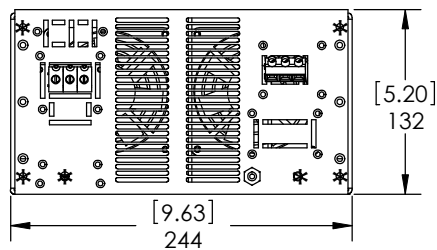
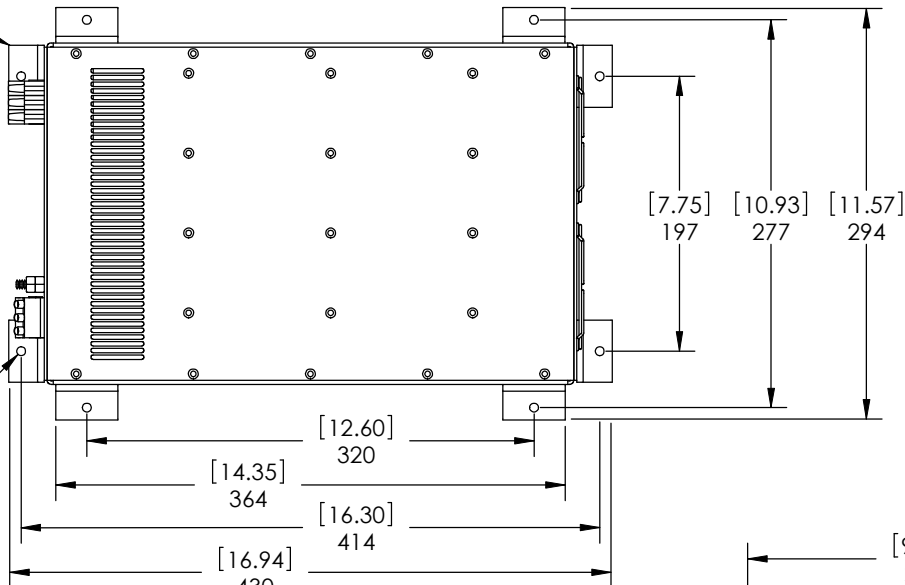


Mounting brackets can be installed along short or long sides - 4 mounting brackets with fasteners are provided with the unit.



Input / Output termination may vary, it depends on application

[.25]  
Ø6.4 TYP.



\* M5 Threaded inserts for mounting brackets or for other mounting options. Maximum screw penetration is 10mm from outside surface of chassis.

DIMENSIONS ARE IN MILLIMETERS  
[INCHES] TOLERANCES ON  
DECIMALS: XXX ± 0.2mm  
XX ± 0.3mm  
ANGLES: ± 2°  
FRACTIONS: ± 0.4mm  
UNLESS OTHERWISE STATED

THIS DOCUMENT IS THE PROPERTY  
OF ABSOPULSE ELECTRONICS LTD.  
ITS CONTENTS ARE PROPRIETARY AND  
MAY NEITHER BE COPIED, REPRODUCED  
NOR ITS CONTENTS DISCLOSED TO OTHERS  
WITHOUT PRIOR WRITTEN AGREEMENT  
FROM ABSOPULSE ELECTRONICS LTD.

Title: OUTLINE DRAWING  
Model No: 3U4 PACKAGE

ABSOPULSE