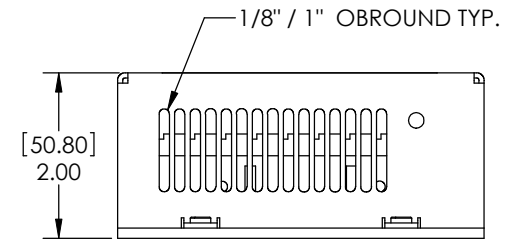
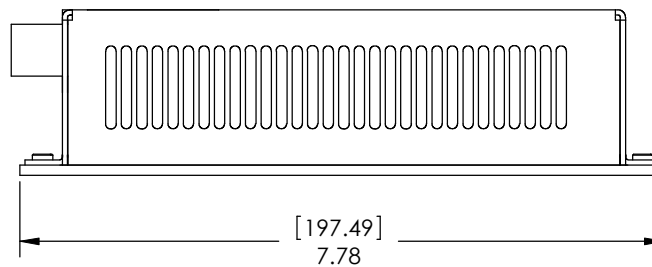
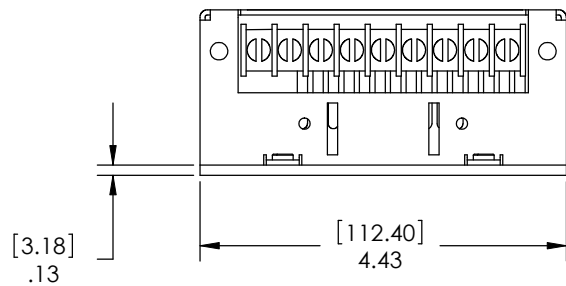
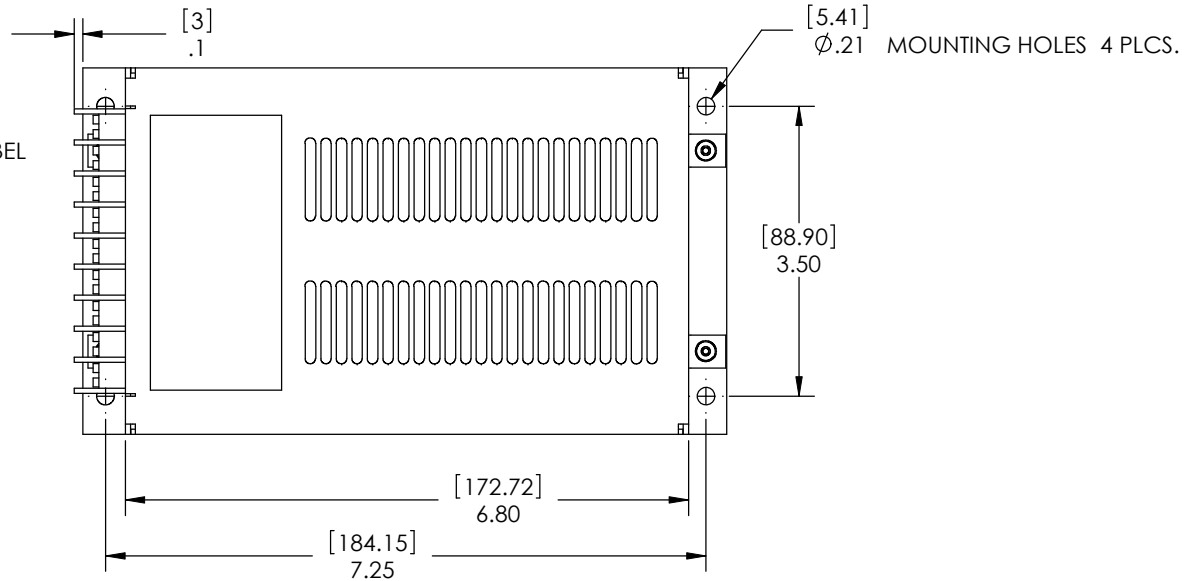


CURTIS 38000 SERIES 9 POLE
SINGLE ROW BARRIER TYPE
TERMINAL WITH #6 UNC SCREWS



DIMENSIONS ARE IN INCHES
(mm) TOLERANCES ON
DECIMALS: XXX ± 0.008"
 XX ± 0.012"
ANGLES: ± 2°
FRACTIONS: ± 1/64"
UNLESS OTHERWISE STATED

THIS DOCUMENT IS THE PROPERTY
OF ABSOPULSE ELECTRONICS LTD.
ITS CONTENTS ARE PROPRIETARY AND
MAY NEITHER BE COPIED, REPRODUCED
NOR ITS CONTENTS DISCLOSED TO OTHERS
WITHOUT PRIOR WRITTEN AGREEMENT
FROM ABSOPULSE ELECTRONICS LTD.

Title:	OUTLINE DRAWING
Part of:	F1 PACKAGE

ABSOPULSE