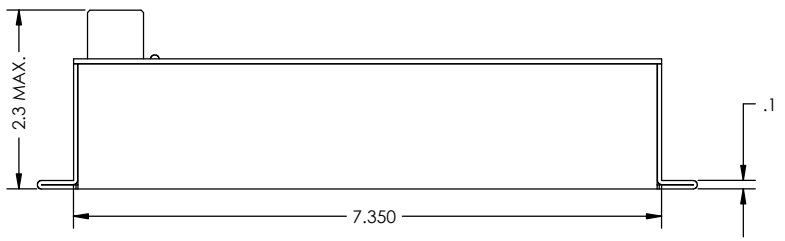
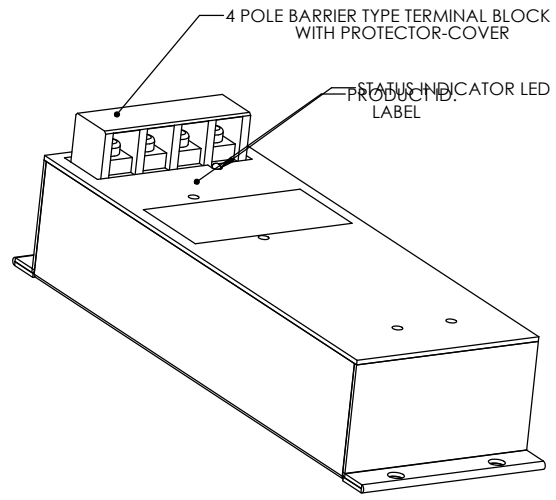
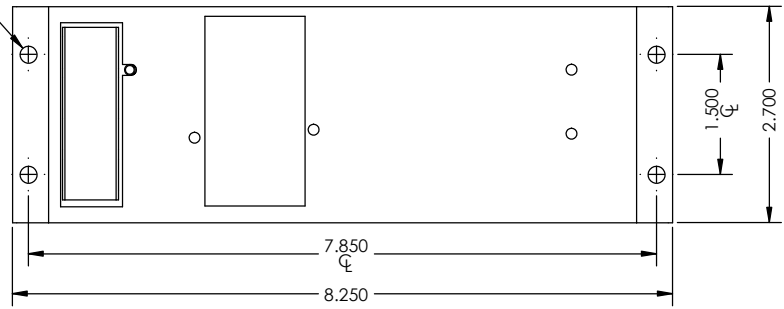


Ø.213 4 PLCS.




DIMENSIONS ARE IN INCHES  
 TOLERANCES ON  
 DECIMALS: XXX ± 0.008"  
 XX ± 0.012"  
 ANGLES: ± 2°  
 FRACTIONS: ± 1/64"  
 UNLESS OTHERWISE STATED  
 EDGES & HOLES DEBURRED  
 SURFACES FREE OF SCRATCHES

CASE MATERIAL: ALUMINUM  
 FINISH: CLEAR IRIDATED  
 THE UNIT IS FULLY POTTED WITH SILICONE COMPOSITE POTTING COMPOUND

THIS DOCUMENT IS THE PROPERTY  
 OF ABSOPULSE ELECTRONICS LTD.  
 ITS CONTENTS ARE PROPRIETARY AND  
 MAY NEITHER BE COPIED, REPRODUCED  
 NOR ITS CONTENTS DISCLOSED TO OTHERS  
 WITHOUT PRIOR WRITTEN AGREEMENT  
 FROM ABSOPULSE ELECTRONICS LTD.

Title: **OUTLINE DRAWING**  
 Part of: **P200 Package**

**ABSOPULSE**  
 Date: **FEB.10.05**