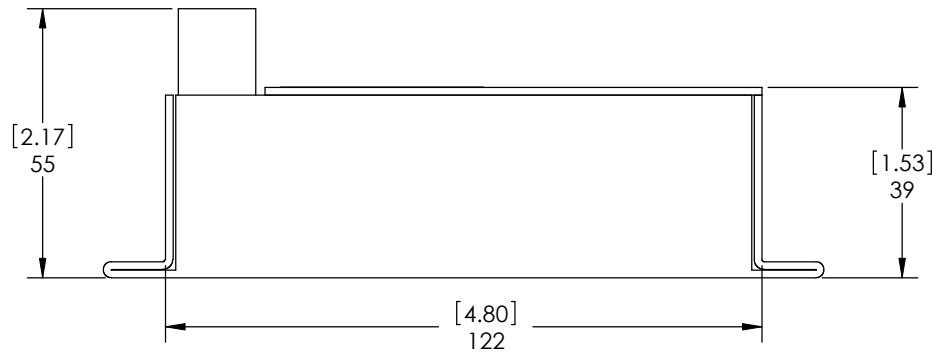
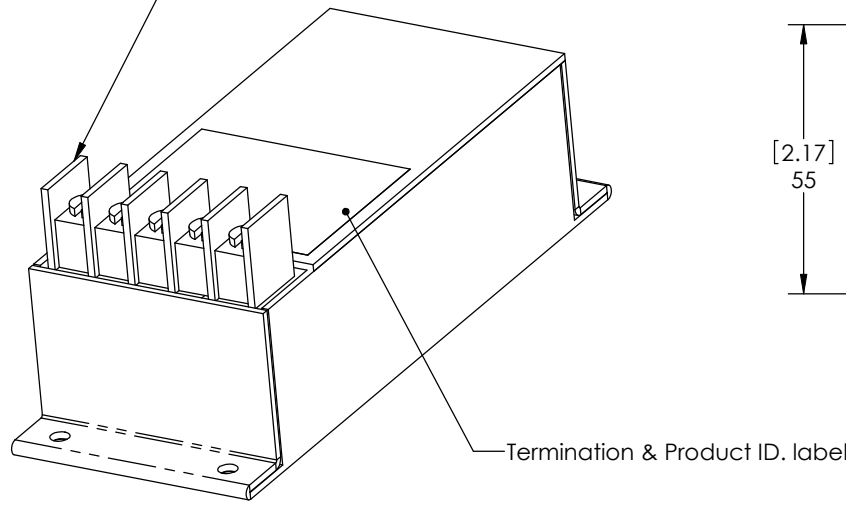


Input / Output
5 Pole barrier type of terminal with
6-32 UNC screws



Case material: Aluminum 5052-H32
The unit is potted with thermally conductive potting compound

DIMENSIONS ARE IN MILLIMETERS
[INCHES] TOLERANCES ON
DECIMALS: XXX ± 0.2mm
 XX ± 0.3mm
ANGLES: ± 2°
FRACTIONS: ± 0.4mm
UNLESS OTHERWISE STATED

THIS DOCUMENT IS THE PROPERTY
OF ABSOPULSE ELECTRONICS LTD.
ITS CONTENTS ARE PROPRIETARY AND
MAY NEITHER BE COPIED, REPRODUCED
NOR ITS CONTENTS DISCLOSED TO OTHERS
WITHOUT PRIOR WRITTEN AGREEMENT
FROM ABSOPULSE ELECTRONICS LTD.

Title:	OUTLINE DRAWING
Model No:	P30 Package

ABSOPULSE